

Wireless Service Call Button "Mini"

The new **Call Button „Mini“** with its tiny dimensions (only 30mmØ x 13mm deep) is opening new and further business opportunities for the restaurant / hotel management, to generate more customer satisfaction and additional sales, as service personnel is available for the guests basically everywhere and anytime: In outdoor areas of restaurants, at swimming-pools, in wellness-areas, at the beach etc., where distances are longer and where is no direct eye contact between the guests and the service personnel, he/she is receiving notice of any sudden demand for service attendance from the guest and thus can supply best spontaneous service, thus generating additional sales, without additional personal expenses.

This tiny **Call Button "Mini"** can easily be integrated into existing table equipment, into the tables of beergarten, into armrests of relaxing chairs at pools and many other locations, where guests may want to call for any service assistance. Like in an airplane, a light pressure on the wireless call button leads to an immediate respective annunciation at an indication panel or at the servant's pager and achieves the personnel to provide perfect "just-in-time"-service.



Example: Call button integrated into table



Mounting hole: 30mmØ x 15mm depth plus drainage

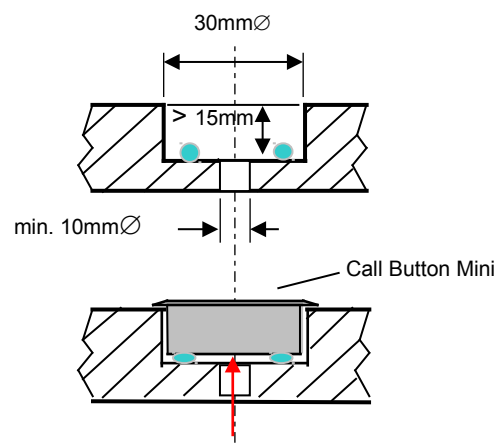
Result: raised customer satisfaction, improved personnel efficiency, more sales and income!

Technical Data:

Transceiver with call acknowledgement and automatic re-dialling function; distance in open field up to 150m; 869 MHz, 3V-Lithium-Battery (CR2032) for approx. 50,000 calls; water and dust protected (IP64, short time); for long term outdoor use an appropriate environment protection is necessary.

Recessed Mounting: (only in non-metallic material as wood, plastics etc.)

1. Drill a mounting hole 30mmØ x 15mm min. depth
2. Drill a through hole 10mmØ min. for water drainage
3. Insert a few dots of silicon (●) at the bottom of hole
4. Insert the Call Button slowly from top and adjust position



Cleaning with a damp cloth only, no aggressive solutions. Outdoor protection can be done by appropriate treatment with water repellent wax or encapsulating spray.

When necessary, the button can be pressed out gently from below.